



iSCSI Configuration Examples

**Matching of iSCSI concepts to SCSI concepts with
Naming Examples**

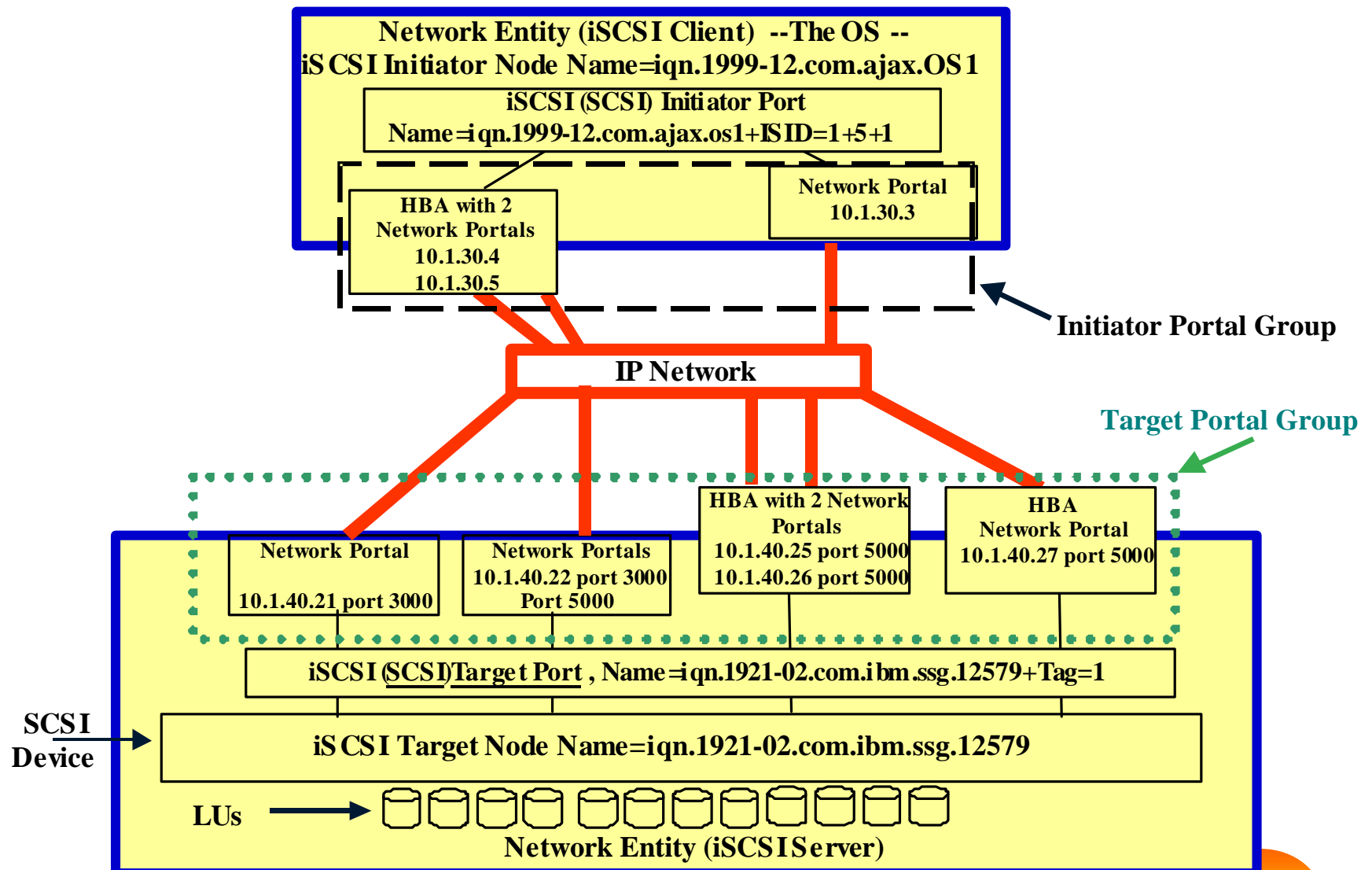
John L. Hufferd

The Following Charts contain

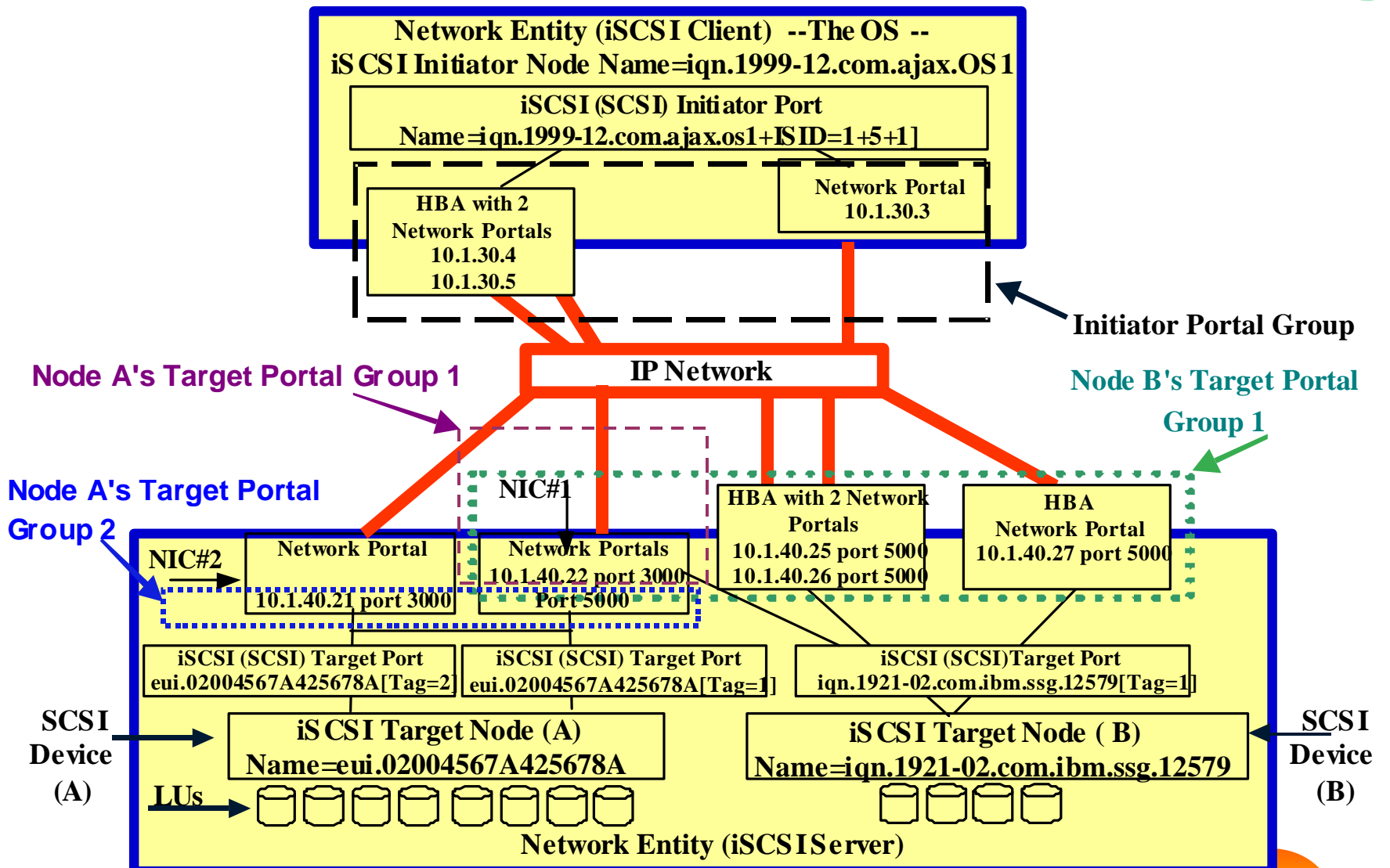
- The view of the iSCSI Client/Initiator and the iSCSI Server/Target
- The iSCSI Initiator Session End-Point, a.k.a the SCSI Initiator Port is assumed to have the New Vendor ID
 - ⇒ *This will probably be embedded in the proposed new extended ISID field, but is shown here as separate*
- It begins simple, then gets some what complicated
- Also shown is what the SendTargets response will be, along with a chart of the Sessions' Nexi



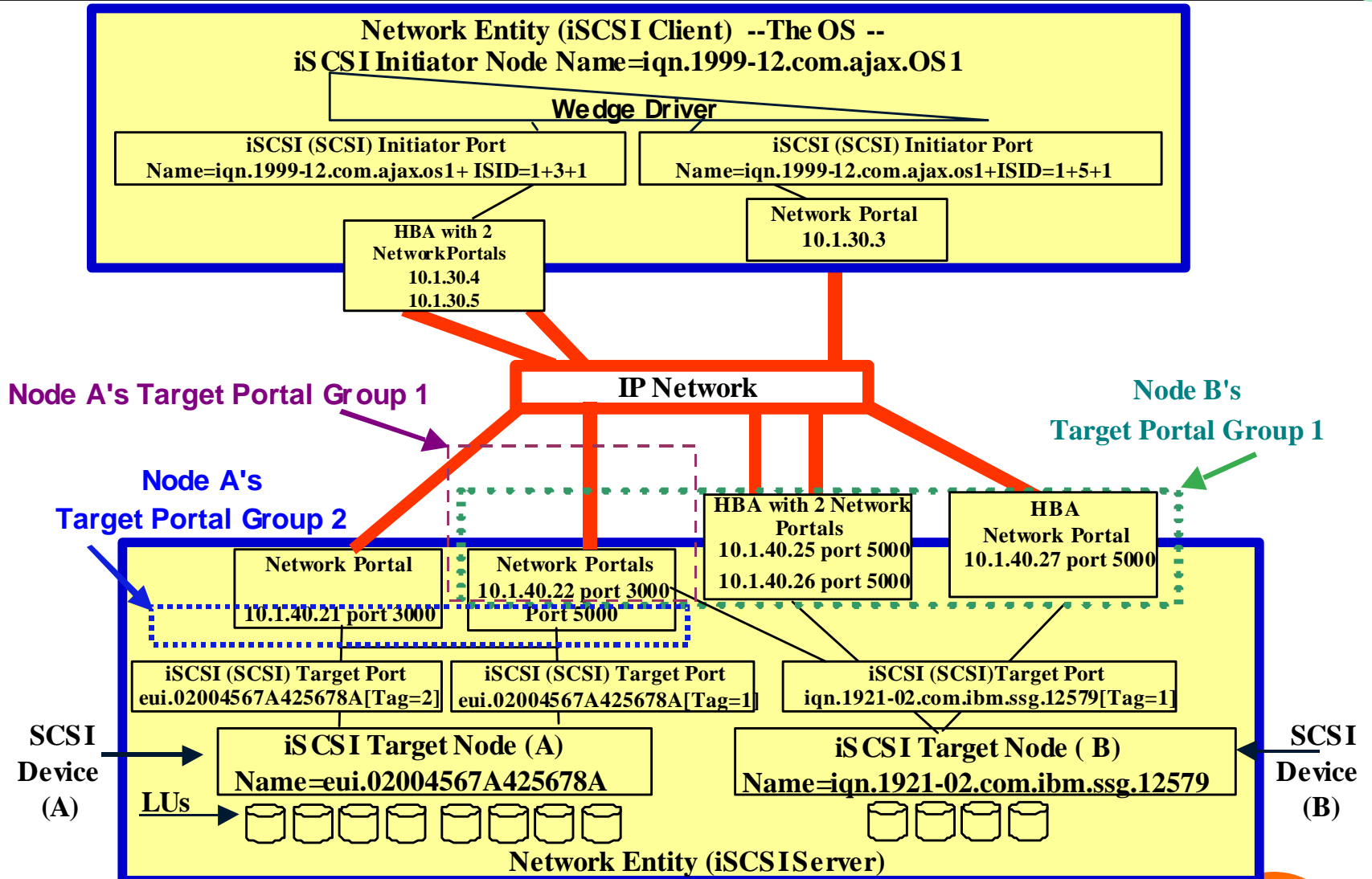
iSCSI Architectural Model (1)



iSCSI Architectural Model (2)



iSCSI Architectural Model (3)



Discovery & Configuration

- **SendTargets Command Response**

- ⇒ *A List of Target Names followed by Target IP address*

- *TargetName=<iSCSI-Target-Node-Name>*

- *TargetAddress<FQDN | IP-Address>[:<port>],<portal-group-tag>*

- ⇒ *For each Target Node Name there are “n” Target Address*

- ⇒ *Portal Group Tags are used to associate IP address for use with Multiple Connection Sessions and identify the SCSI Port Name*

Example of SendTargets Command Response

Model 1

iqn.1921-02.com. ibm.ssg.12579

10.1.40.25[5000],1

10.1.40.26[5000],1

10.1.40.27[5000],1

10.1.40.21[3000],1

10.1.40.22[5000],1

10.1.40.22[3000],1

Model 2 and Model 3

iqn.1921-02.com. ibm.ssg.12579

10.1.40.25[5000],1

10.1.40.26[5000],1

10.1.40.27[5000],1

10.1.40.22[3000],1

eui.02004567A425678A

10.1.40.21[3000],2

10.1.40.22[5000],2

10.1.40.22[3000],1



SCSI Nexi

- The Following are examples of the SCSI Nexi that can be formed from the previous iSCSI Architectural Models
 - *A Nexus is a Unique SCSI Binding between a SCSI Initiator Port and a SCSI Target Port*
 - *SCSI Persistent Reserves can be established on a Nexus*

Model 1

Nexus= iqn.1999-12.com.ajax.os1
+ISID=1+5+1 and
iqn.1921-02.com.ibm.ssg.12579+1

Model 2

Nexus= iqn.1999-12.com.ajax.os1
+ISID=1+5+1 and
iqn.1921-02.com.ibm.ssg.12579+1
Nexus= iqn.1999-12.com.ajax.os1
+ ISID=1+5+1 and
eui.02004567A425678A+1
Nexus= iqn.1999-12.com.ajax.os1
+ ISID=1+5+1 and
eui.02004567A425678A+2

Model 3

Nexus= iqn.1999-12.com.ajax.os1
+ ISID=1+3+1 and
iqn.1921-02.com.ibm.ssg.12579+1
Nexus= iqn.1999-12.com.ajax.os1
+ ISID=1+5+1 and
iqn.1921-02.com.ibm.ssg.12579+1
Nexus= iqn.1999-12.com.ajax.os1
+ ISID=1+3+1 and
eui.02004567A425678A+1
Nexus= iqn.1999-12.com.ajax.os1
+ ISID=1+5+1 and
eui.02004567A425678A+2
Nexus= iqn.1999-12.com.ajax.os1
+ ISID=1+3+1 and
eui.02004567A425678A+2
Nexus= iqn.1999-12.com.ajax.os1
+ ISID=1+5+1 and
eui.02004567A425678A+1

