

iSCSI MIB Team Status

50th IETF - Minneapolis
March 2001

Mark Bakke, Cisco

Sudhakar Chellam, IBM

Kevin Gibbons, Nishan Systems

Chad Gregory, Intel

Jack Harwood, EMC

John Hufferd, IBM

Marjorie Krueger, HP

Lawrence Lamers, San Valley

Satish Mali, StoneFly Networks

Jim Muchow, Cisco

Hari Mudalier, Adaptec

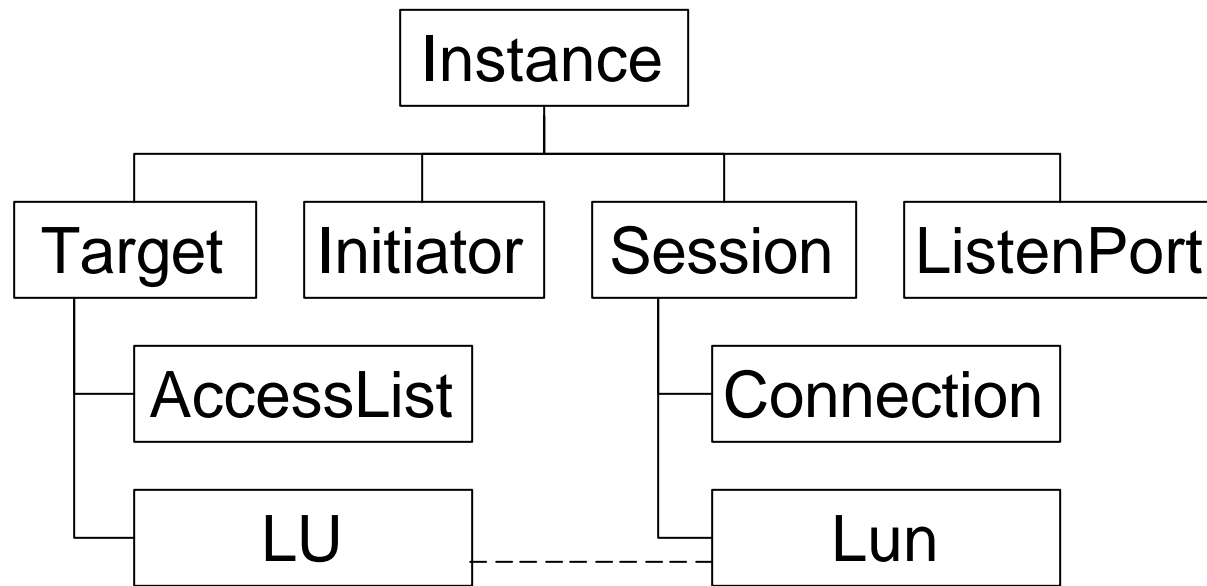
Ie Wei Njoo, Agilent

William Terrell, Troika Networks

Status

- **iSCSI Object Model**
 - Model complete; pending input from WG
 - Includes iSCSI-visible LU and LUN info
- **iSCSI MIB**
 - New draft out for review
 - Would like to make this a WG document
- **SCSI MIB**
 - Team interested in pursuing SCSI MIB

iSCSI MIB Structure



- Handles multiple targets and initiators
- Tracks LUs and LUNs in use

Current Work Items

- LU and LUN representation
- SCSI MIB would be beneficial
 - Work with T10 or other organization?
- Access Control representation
- Working on attributes and descriptions
- Admin/OperStatus, Sets, Traps

Proposed Changes

- Add “last error” UTF8String messages
- Remove enums for digest & auth
- Add name service attributes to instance
 - Allows navigation to an SNS MIB
- Add “last LUN” for appropriate errors
- Make LU and LUN tables optional

Requirements Questions

- Move LU/LUN to a SCSI MIB?
- Error tracking – LUN errors, error strings, logs?
- Statistics and attributes enough or too much?
- How long should table entries live?
- Will anyone attempt sets, and which ones?
- Will users want RowStatus?
 - Delete sessions or connections via SNMP?
- Any new traps required for iSCSI?
- Have we overlooked any requirements?

Issues

- There is no SCSI MIB
 - We are breaking layers somewhat in LU object to compensate
- Access control model
 - We have a simple model; is it appropriate?
 - Is it worth representing in a standard MIB?
 - Can use table augmentation in proprietary MIB.
- Publishing object model with MIB

Plan

- April 2001
 - Collect input from IPS WG
 - Solicit any new requirements from WG
 - Publish new draft as WG document
- June 2001
 - Publish second draft of WG document
- October 2001
 - Submit iSCSI MIB draft to IESG